

UNIFIVE

Safety , Efficient & Earth friendly

LED Driver 15W Series Desktop

UJD Series



Product Highlights:



- ✓ Stability
- ✓ Compact size
- ✓ Energy efficiency
- ✓ Available at Japan,China, Taiwan, USA, Europe, UK & desktop type
- ✓ Constant current for LED lighting product
- ✓ PF>0.9

Protection:

- ✓ Short circuit protection
- ✓ Over Voltage Protection
- ✓ Over Current Protection

Safety Approvals:

- ✓ CE(Low Voltage Directive)
- ✓ IEC/EN61347

Emissions:

- ✓ EN 55015 : 2006+A1:2007

Immunity:

- ✓ Electrostatic discharge: 61000-4-2
- ✓ Radiated electromagnetic fields:61000-4-3
- ✓ Fast transients (Burst): 61000-4-4
- ✓ Surge transients: 61000-4-5
- ✓ Conducted disturbance: 61000-4-6
- ✓ Voltage dips, interruptions & Variations:61000-4-11

Electrical Spec:

Absolute Maximum Rating

Input					
Description	Min	Typ	Max	Units	Comment
Voltage	90	120/240	264	VAC	2 Wire No Protection Ground
Frequency	47	50/60	63	Hz	

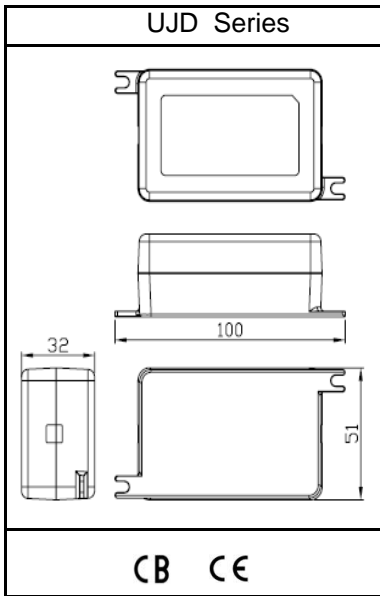
Environmental					
Description	Min	Typ	Max	Units	Comment
Operating Temperature	0	-	40	°C	Free Convection,Sea level
Non-Operating Temperture	-20	-	65	°C	Free Convection,Sea level
Operating Humidity	5	-	95	%RH	No Condensing
Non-Operating Humidity	5	-	95	%RH	No Condensing

Typical model list:

LED Driver 15W Series Desktop

Input Condition		DC Output Voltage	DC Output Current	C.V	C.C	Option/Remark
				Current MAX	Voltage Range	
Input Voltage: 90V-264Vac Frequency: 47-63Hz	1	12V	0.3A	1.05A	7V-12V	
	2	12V	0.35A			
	3	12V	0.4A			
	4	12V	0.5A			
	5	12V	0.6A			
	6	12V	0.7A			
	7	12V	0.8A			
	8	12V	0.9A			
	9	12V	1.0A			
	10	12V	1.05A			
	11	15V	0.3A	1.05A	8V-15V	
	12	15V	0.35A			
	13	15V	0.4A			
	14	15V	0.5A			
	15	15V	0.6A			
	16	15V	0.7A			
	17	15V	0.8A			
	18	15V	0.9A			
	19	15V	1.0A			
	20	15V	1.05A			
	21	18V	0.3A	0.9A	12V-18V	
	22	18V	0.35A			
	23	18V	0.4A			
	24	18V	0.5A			
	25	18V	0.6A			
	26	18V	0.7A			
	27	18V	0.8A			
	28	18V	0.9A			
	29	22V	0.2A	0.8A	15V-22V	
	30	22V	0.3A			
	31	22V	0.35A			
	32	22V	0.4A			
	33	22V	0.5A			
	34	22V	0.6A			
	35	22V	0.7A			
	36	22V	0.8A			
	37	33V	0.1A	0.5A	25V-33V	
	38	33V	0.2A			
	39	33V	0.3A			
	40	33V	0.35A			
	41	33V	0.4A			
	42	33V	0.5A			
	43	36V	0.1A	0.4A	29V-36V	
	44	36V	0.2A			
	45	36V	0.3A			
	46	36V	0.35A			
	47	36V	0.4A			
	48	-	-	-	-	-

Mechanical Spec:



Packing Spec:

Type	Pcsper Carton	Gross Weight (kg)	Net Weight(kg)	Size(mm)	CBM(m2)	Container	Ctn/Container	Pcs/Container	Gross Weight (Ton)	Remark
UJD315	60	8.7	7.2	406x250x298	1x1.2	20	800	48000	7200	With Gift Box