

UNVFxB 15W Series

I.C.T./AV AC/DC Adaptor
USB
GaN/SiC Technology / USB-C



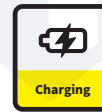
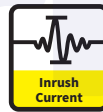
▲ UNVFUB3015



▲ UNVFE3015



▲ UNVFKB3015



■ Please contact our sales department for safety standard of each model.

Product Highlights

- Stability
- Energy and High Efficiency
- Small size
- Mobility
- Suitable for mobile phone/portable device, etc.

Efficiency

- Energy Efficiency Level VI (ErP / DoE)
- Meet Commission Regulation(EU) 2019/1782
- Meet DOE 10 CFR part 429 and 430
- Meets ErP (EU) 2025/2052 energy efficiency standards

Protection

- Short Circuit Protection
- Over Voltage Protection
- Over Current Protection

Emissions

- FCC
 - FCC Part15-B
- CE
 - EN(CISPR)55032-B
- VCCI-B
- BS EN 55032

Safety Standard

- 62368-1
- PSE 別表第八

Immunity

- EN55035
 - BS EN 55035
- The above specifications include the following test standards
- ✓ EN61000-4-2
 - ✓ EN61000-4-3
 - ✓ EN61000-4-4
 - ✓ EN61000-4-5
 - ✓ EN61000-4-6
 - ✓ EN61000-4-8
 - ✓ EN61000-4-11

Electrical Spec

Input					
Description	Min.	Typ.	Max.	Units	Comment
Voltage	90	100~240	264	Vac	
Frequency	47	50/60	63	Hz	

Environmental					
Description	Min.	Typ.	Max.	Units	Comment
Operating Temperature	0	-	40	°C	Free Convection, Sea Level
Storage Temperature	-20	-	65	°C	Free Convection, Sea Level
Operating Humidity	5	-	95	%RH	No Condensing
Storage Humidity	5	-	95	%RH	No Condensing

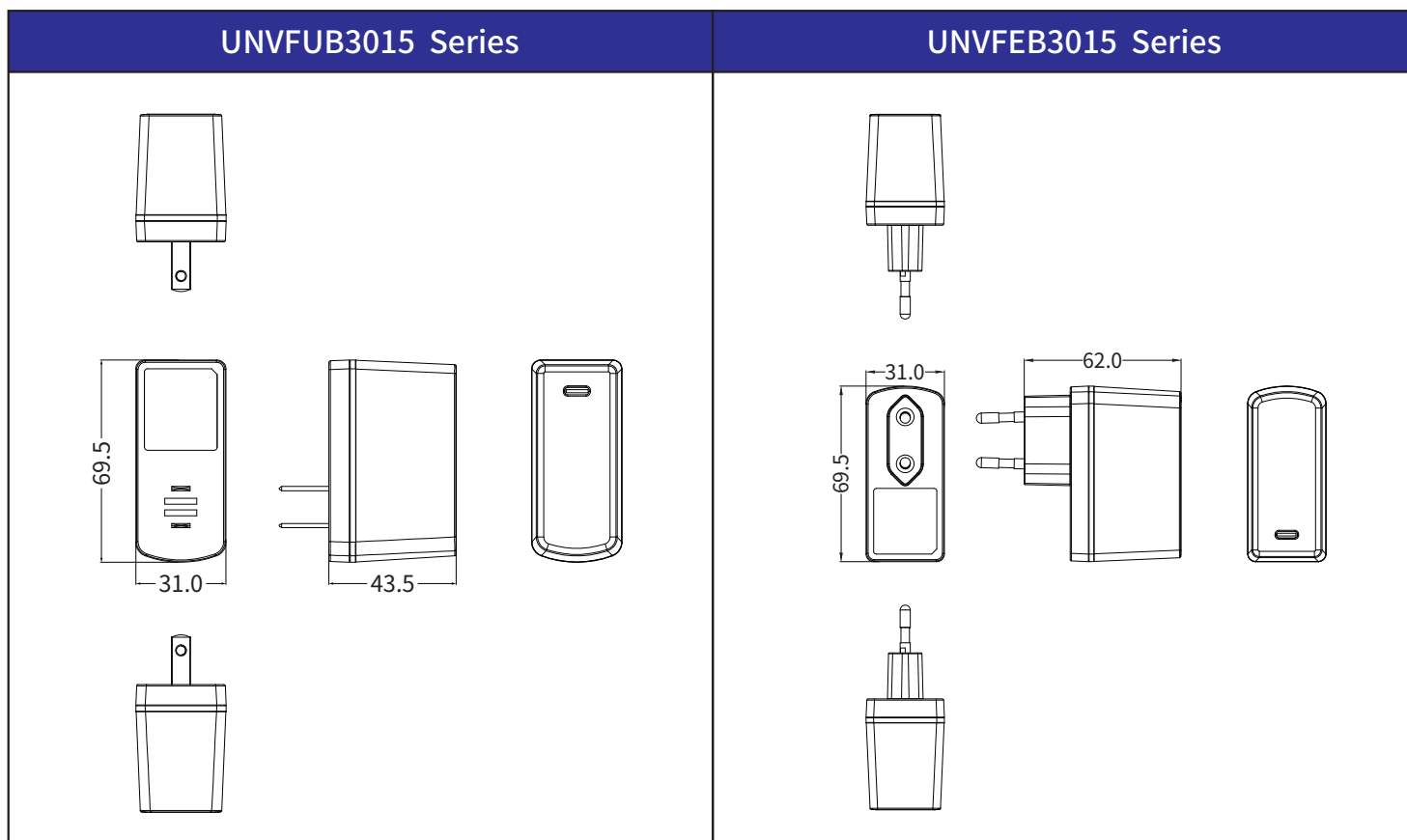
Typical model list

Output Condition	Model Name	DC Output Voltage	DC Output Current	Output Voltage Precision	Ripple	Noise	Average Active Efficiency	No-Load Power Consumption	Option / Remark
USB-C	UNVFXB3015-050030S	5.0V	3.0A	±5%	120mV	120mV	81.84%	0.075W	

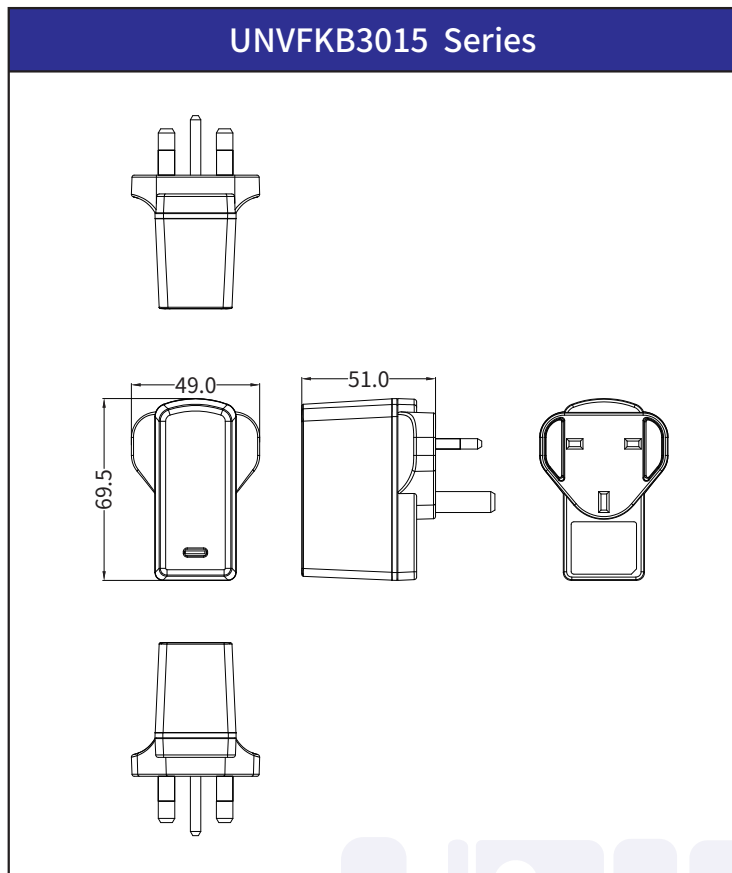
■ Measurement Condition

1. Measurements shall be made with an oscilloscope with 20MHz bandwidth.
2. Outputs shall be bypassed at the connector with a 0.1uF ceramic disk capacitor and a 10uF Low ESR electrolytic capacitor to simulate system loading.

Mechanical Spec



Mechanical Spec



the following blank

■ Please contact our sales department for details of each model ■