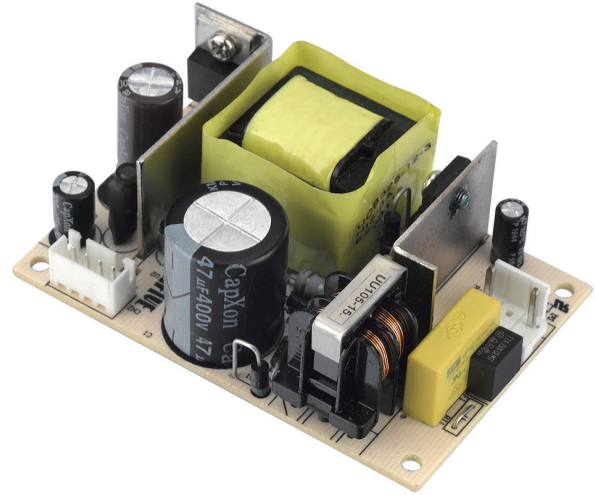


UOB Series

Open Frame Switching Power Supply 25W Series



▲ UOB325

CB CE C **UL** US

■ Please contact our sales department for safety standard of each model.



Safety Certificate



Reliability Guarantee



Energy Saving



LPS



EMC

Product Highlights

- Stability
- Ultra small size
- Energy efficiency

Protection

- Short circuit protection
- Over Voltage Protection
- Over Current Protection

Safety Approvals

- UL60950
- CAN/CSA C22.2 NO. 60950
- IEC/EN60950-1

Emissions

- CE CISPR 32 Class B

Immunity

- EN55024/A1:2001

Electrical Spec

Absolute Maximum Rating

Input					
Description	Min	Typ	Max	Units	Comment
Voltage	90	100~240	264	Vac	
Frequency	47	50/60	63	Hz	

Environmental					
Description	Min	Typ	Max	Units	Comment
Operating Temperature	0	-	40	°C	Free Convection,Sea level
Storage Temperature	-20	-	65	°C	Free Convection,Sea level
Operating Humidity	5	-	95	%RH	No Condensing
Storage Humidity	5	-	95	%RH	No Condensing

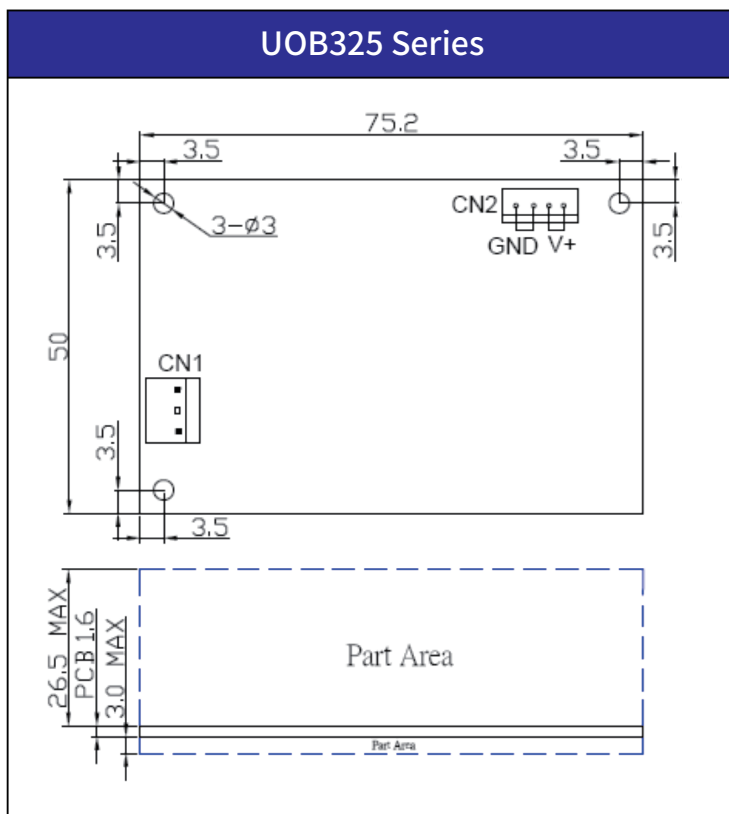
Typical model list

Input Condition	DC Output Voltage	DC Output Current	Output Voltage Precision	Ripple	Noises	Regulation		Option/Remark	
						Line	Load		
Input Voltage: 90V-264Vac Frequency: 47-63Hz	1	12.0V	2.0A	±5%	120mV	120mV	2%	10%	
	2	15.0V	1.6A	±5%	80mV	80mV	2%	10%	
	3	24.0V	1.0A	±5%	240mV	240mV	2%	10%	
	4	-	-	-	-	-	-	-	
	5	-	-	-	-	-	-	-	

■ Measurement condition

1. Measurements shall be made with an oscilloscope with 20MHz bandwidth.
2. Outputs shall be bypassed at the connector with a 0.1uF ceramic disk capacitor and a 10uF electrolytic capacitor to simulate system loading.

Mechanical Spec



■ Please contact our sales department for details of each model ■