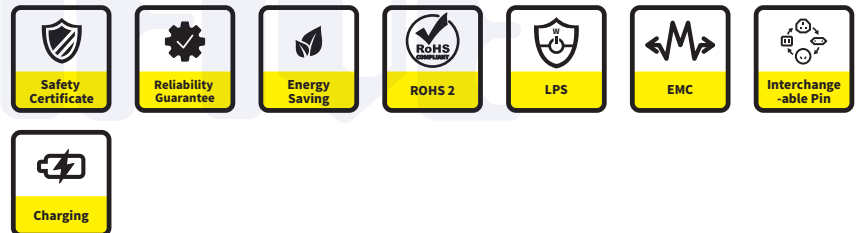


SNXVX 6W Series

-20°C/+60°C Wide Operating Temperature Range AC/DC Adaptor



- All safety meets 40 degree standard.
- Please contact our sales department for safety standard of each model.



Product Highlights

- -20°C~60°C Operating Temperature for 6W
- High Efficiency
- Suit Portable HDD, Portable GPS, PDA & network device LCD display, hand held computer, multimedia player etc

Protection

- Short Circuit Protection
- Over Voltage Protection
- Over Current Protection
- Over Temperature Protection (Optional)

Safety Standard

- 60065-1
- 60950-1
- 62368-1
- PSE 別表第八 100V 基準に準拠

Efficiency

- Energy Efficiency Level VI (ErP / DoE)
- Meet COMMISSION REGULATION(EU) 2019/1782
- Meet DOE 10 CFR part 429 and 430

Emissions

- FCC Part15 Class B
- CE CISPR 32 EN55032
- VCCI Class B
- BS EN 55032

Immunity

- EN 55035
- BS EN 55035

Electrical Spec

Input					
Description	Min.	Typ.	Max.	Units	Comment
Voltage	90	100~240	264	Vac	
Frequency	47	50/60	63	Hz	

Environmental					
Description	Min.	Typ.	Max.	Units	Comment
Operating Temperature for 12W	0	-	40	°C	Free Convection,Sea Level
Operating Temperature for 6W	-20	-	60	°C	Free Convection,Sea Level
Storage Temperature	-20	-	65	°C	Free Convection,Sea Level
Operating Humidity	5	-	95	%RH	No Condensing
Storage Humidity	5	-	95	%RH	No Condensing

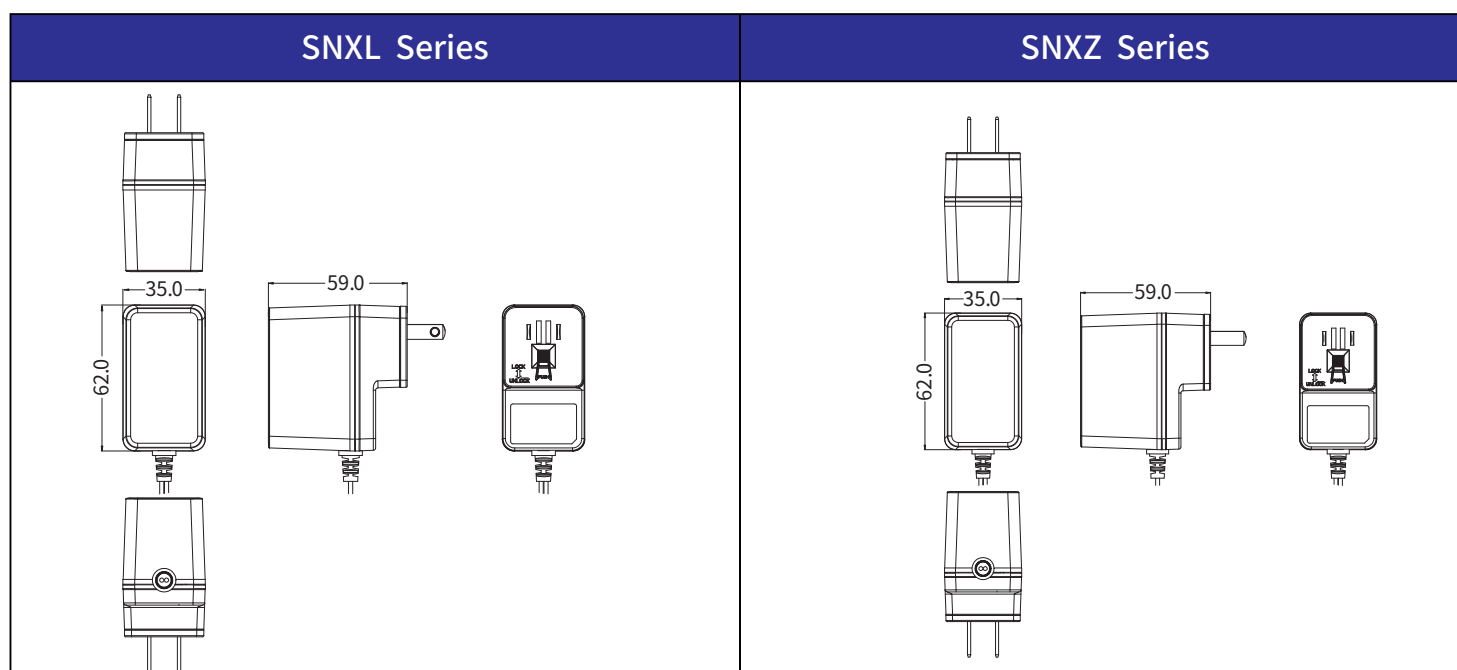
Typical model list

No.	DC Output Voltage	DC Output Current	Output Voltage Precision	Ripple	Noise	Average Active Efficiency	No-Load Power Consumption	Option/Remark
1	5.0V	1.2A	±5%	200mV	300mV	78.7%	0.1W	-20°C~60°C
	5.0V	2.0A	±5%	200mV	300mV	75.0%	0.1W	0°C~40°C
2	5.9V	1.0A	±5%	200mV	300mV	74.9%	0.1W	-20°C~60°C
	5.9V	1.8A	±5%	200mV	300mV	79.1%	0.1W	0°C~40°C
3	9.0V	0.65A	±5%	200mV	300mV	78.7%	0.1W	-20°C~60°C
	9.0V	1.3A	±5%	200mV	300mV	82.8%	0.1W	0°C~40°C
4	12.0V	0.5A	±5%	200mV	240mV	78.9%	0.1W	-20°C~60°C
	12.0V	1.0A	±5%	200mV	240mV	83.0%	0.1W	0°C~40°C
5	24.0V	0.25A	±5%	200mV	240mV	78.9%	0.1W	-20°C~60°C
	24.0V	0.5A	±5%	200mV	240mV	83.0%	0.1W	0°C~40°C

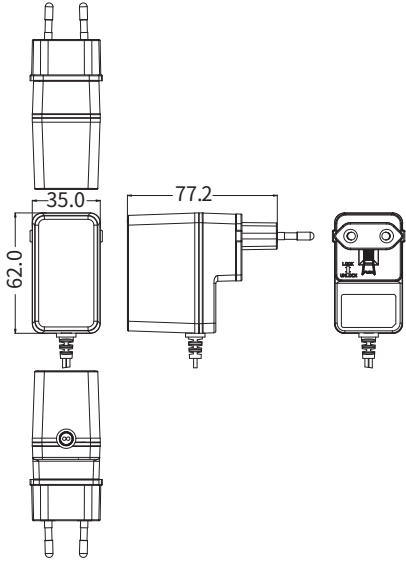
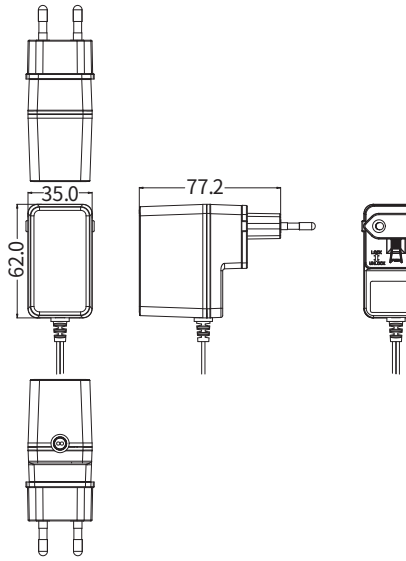
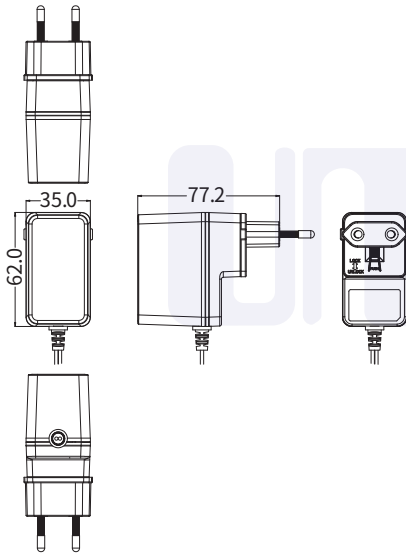
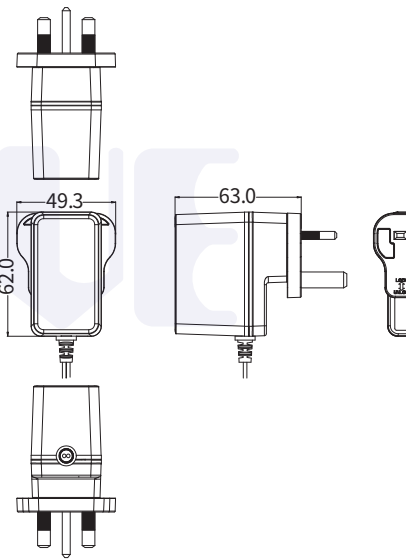
■ Measurement Condition

1. Measurements shall be made with an oscilloscope with 20MHz bandwidth.
2. Outputs shall be bypassed at the connector with a 0.1uF ceramic disk capacitor and a 10uF electrolytic capacitor to simulate system loading.
- Precaution The different output current is applied to the different operating temperature. For example, 12.0V/0.5A is for -20°C to 60°C and 12.0V/1.0A is for 0°C to 40°C. For the applicable safety standards, see the specification sheef.
3. Safety certificates were available for the model with 0~40 degrees operation.
No certificates for the model which operating under -20~60 degrees,but the design can meet safety standard.

Mechanical Spec



Mechanical Spec

SNXE Series	SNXR Series
	
SNXF Series	SNXK Series
	
SNXA Series	<p style="text-align: center;">— the following blank —</p>

■ Please contact our sales department for details of each model ■