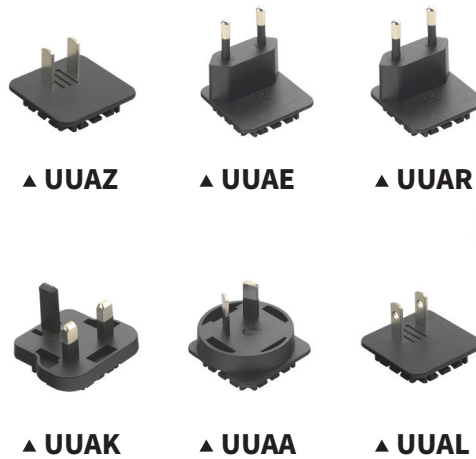
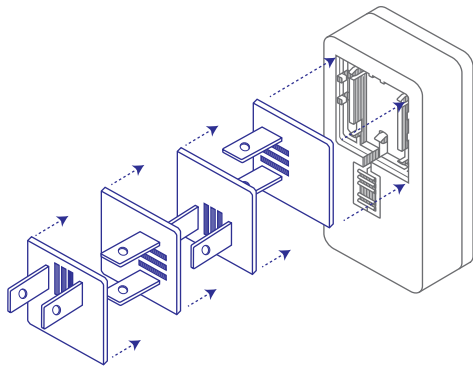


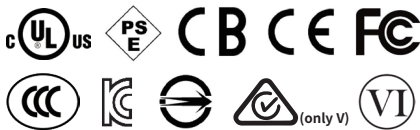
UBX Series

AC Pin Interchangeable Wall Mount AC/DC Adaptor

5W Series



▲ UBX305



■ Please contact our sales department for safety standard of each model.



Product Highlights

- Stability
- Ultra small size
- Light weight
- Energy efficiency
- Suit MP3 player, Mobile Phone, Portable GPS device, PDA

Protection

- Short circuit protection
- Over Voltage Protection
- Over Current Protection

Safety Approvals

- UL60950
- CAN/CSA C22.2 NO. 60950
- PSE
- IEC/EN60950-1
- CNS14336
- GB4943.1
- K60950
- AS/NZS 60950.1

Efficiency

- Meet : COMMISSION REGULATION (EU) 2019/1782 (ERP 6) & DOE 6

Emissions

- FCC Part15 Class B ICES-003
- CE CISPR 32 Class B
- VCCI Class B
- CNS13438
- GB9254/GB17625.1
- KN32 KN35
- AS/NZS CISPR32

Immunity

- EN55024/A1:2001

Electrical Spec

Absolute Maximum Rating

Input					
Description	Min	Typ	Max	Units	Comment
Voltage	90	100~240	264	Vac	
Frequency	47	50/60	63	Hz	

Environmental					
Description	Min	Typ	Max	Units	Comment
Operating Temperature	0	-	40	°C	Free Convection,Sea level
Storage Temperature	-20	-	65	°C	Free Convection,Sea level
Operating Humidity	5	-	95	%RH	No Condensing
Storage Humidity	5	-	95	%RH	No Condensing

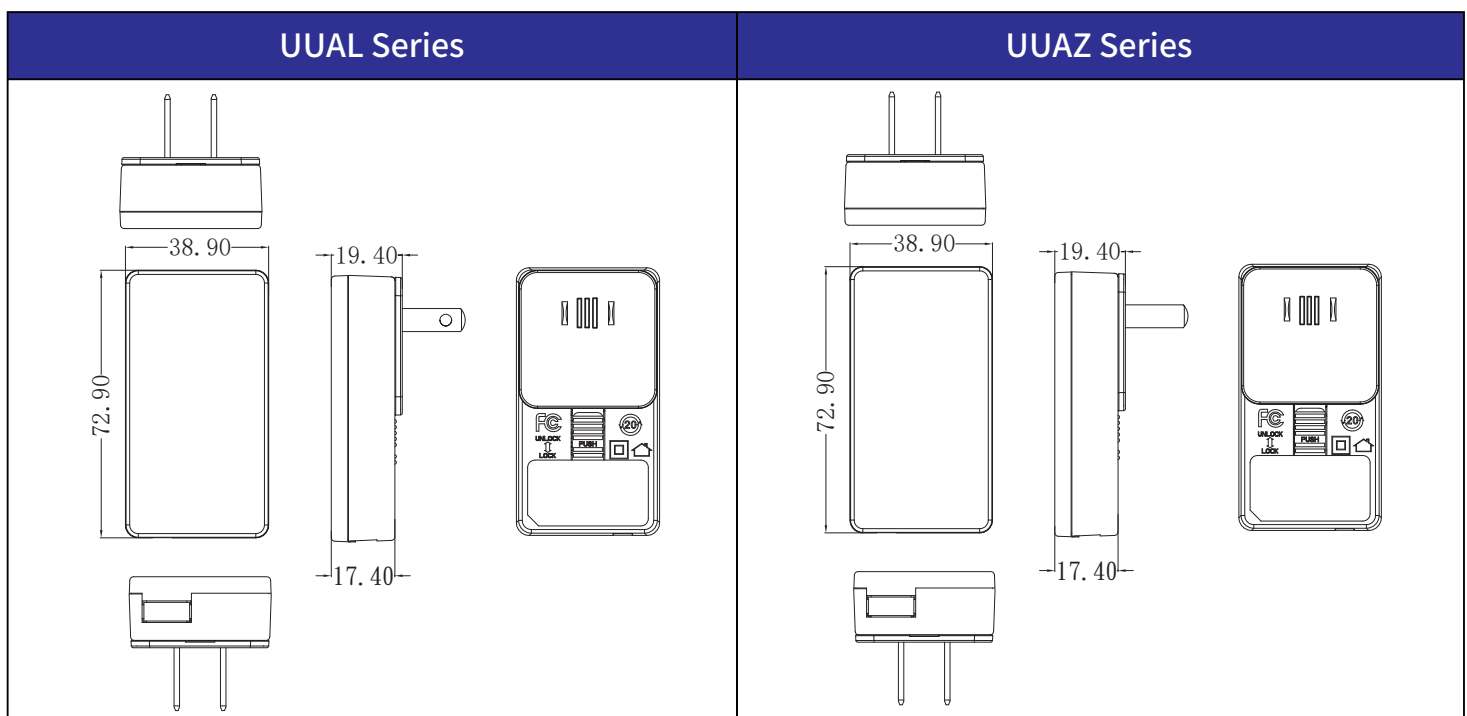
Typical model list

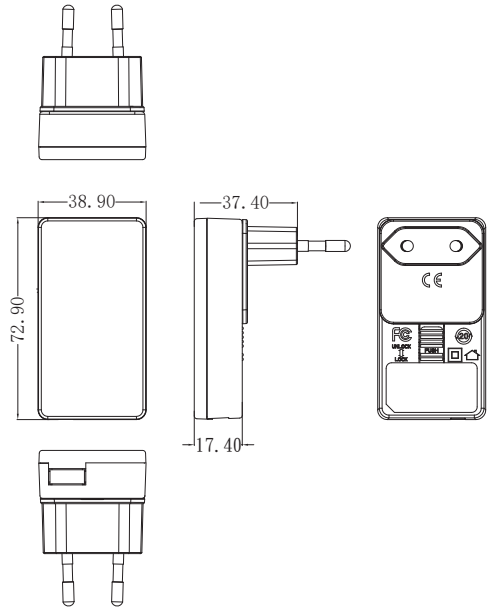
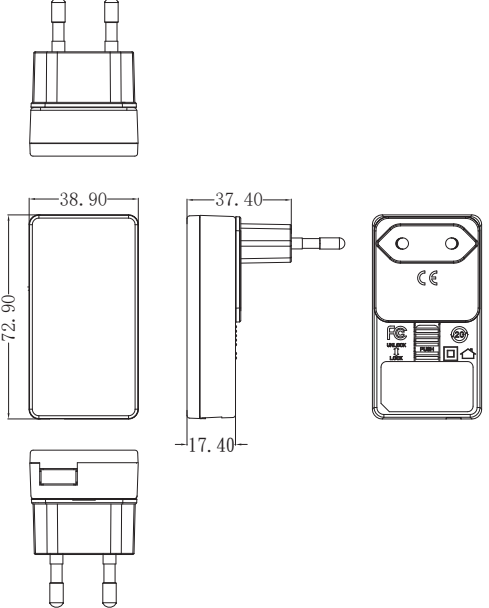
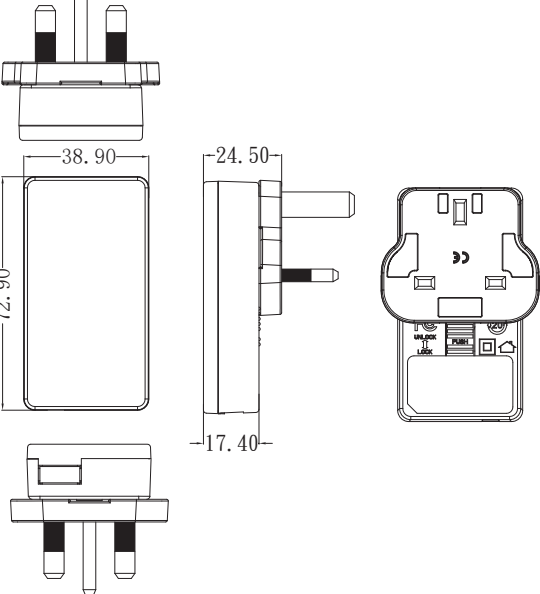
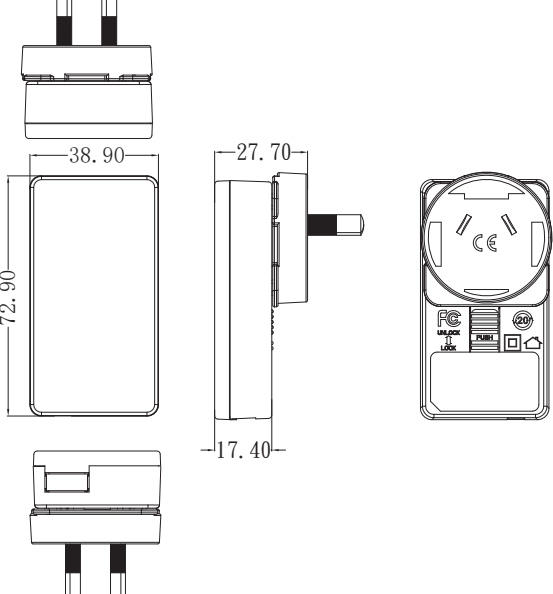
Input Condition	DC Output Voltage	DC Output Current	Output Voltage Precision	Ripple	Noises	Regulation		Average active efficiency	Efficiency at low load (10%)	No-load power consumption	Option/Remark	
						Line	Load					
Input Voltage: 90V-264Vac Frequency: 47-63Hz	1	5.0V	0.5A	±5%	100mV	200mV	2%	10%	73.16%	-	0.1W	
	2	5.0V	1.0A	±5%	150mV	200mV	2%	10%	73.62%	-	0.1W	
	3	-	-	-	-	-	-	-	-	-	-	

■ Measurement condition

1. Measurements shall be made with an oscilloscope with 20MHz bandwidth.
2. Outputs shall be bypassed at the connector with a 0.1uF ceramic disk capacitor and a 10uF electrolytic capacitor to simulate system loading.

Mechanical Spec



UUAE Series	UUAR Series
	
UUAK Series	UUA Series
	

— the following blank —

■ Please contact our sales department for details of each model ■