

ULVU 5W Series

LED Lighting AC/DC Adaptor



▲ ULVUU3005



▲ ULVUE3005



▲ ULVUK3005



▲ ULVUA3005



▲ ULVUZ3005



■ Please contact our sales department for safety standard of each model.



Product Highlights

- Product comply IEC 6100-3-2 harmonic restrictions standard that over 5W and under 25W apply for all lighting appliances including LED lighting
- The limited value for LED Driver over 5W and under 25W apply for all lighting appliances including LED lighting. All of over 5W lighting devices are under harmonic restrictions
- Additional under 25W ease requirements (additional item ③ only and item ① & ② same as before)
 - ① Class D
 - ② Judge by waveform phase
 - ③ $THD \leq 70\%$ and basic wave current for 3rd , 5th, 7th, 9th and 11th are under 35%, 25%, 30%, 20% and 20%. The 2nd harmonic under 5%
- Corresponding CV mode, we support customized for C.C. & C.V. mode, C.C. mode only, LED table lamp and LED fluorescent lamp.
- Power Factor Correction
- Suitable for LED Lights

Protection

- Short Circuit Protection
- Over Voltage Protection
- Over Current Protection

Safety Standard

- 60950-1
- 62368-1
- 61347-1
- PSE 別表第八

Emissions

- FCC Part15 Class B
- CE CISPR15 EN55015
- VCCI Class B

Immunity

- EN61547

Electrical Spec

Input					
Description	Min.	Typ.	Max.	Units	Comment
Voltage	90	100~240	264	Vac	
Frequency	47	50/60	63	Hz	

Environmental					
Description	Min.	Typ.	Max.	Units	Comment
Operating Temperature	0	-	40	°C	Free Convection,Sea Level
Storage Temperature	-20	-	65	°C	Free Convection,Sea Level
Operating Humidity	5	-	95	%RH	No Condensing
Storage Humidity	5	-	95	%RH	No Condensing

Typical model list

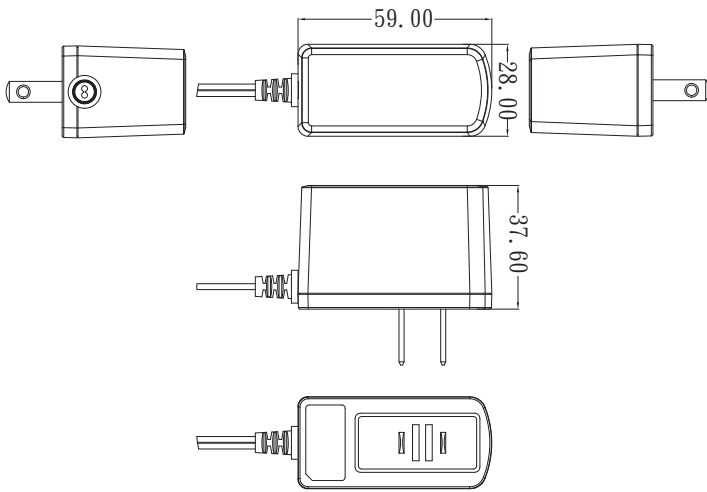
No.	DC Output Voltage	DC Output Current	Output Voltage Precision	Ripple	Noise	Average Active Efficiency	No-Load Power Consumption	Option/Remark
1	12.0V	0.5A	±10%	6V	6V	80.00%	0.3W	
2	24.0V	0.25A	±10%	6V	6V	80.00%	0.3W	

■ Measurement Condition

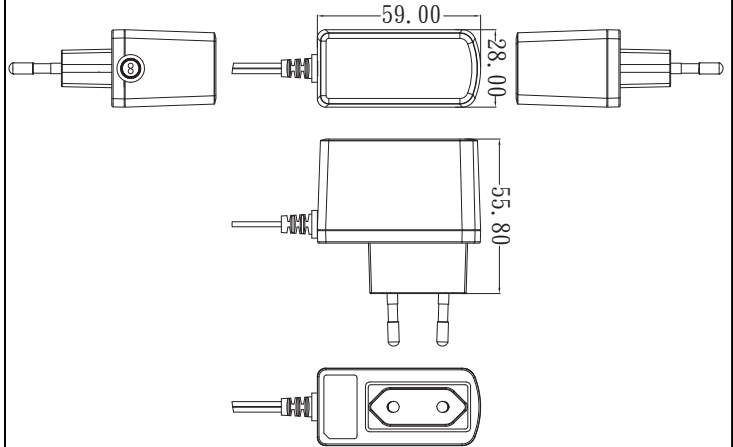
1. Measurements shall be made with an oscilloscope with 20MHz bandwidth.
2. Outputs shall be bypassed at the connector with a 0.1uF ceramic disk capacitor and a 10uF electrolytic capacitor to simulate system loading.

more detail on next page

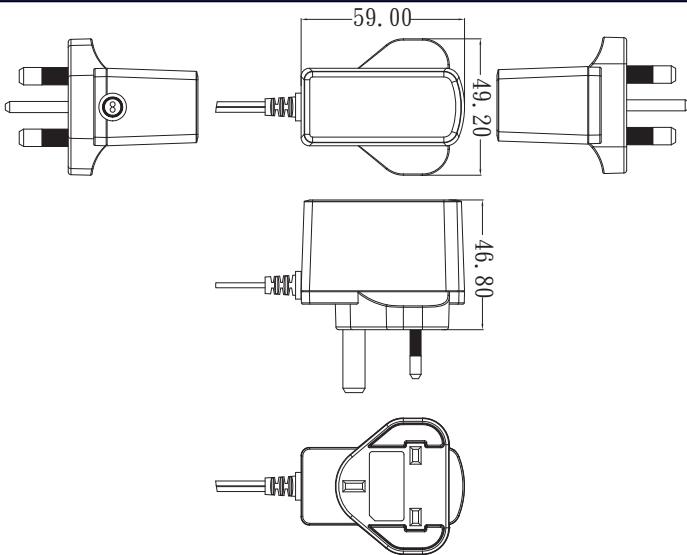
ULVUU3005 Series



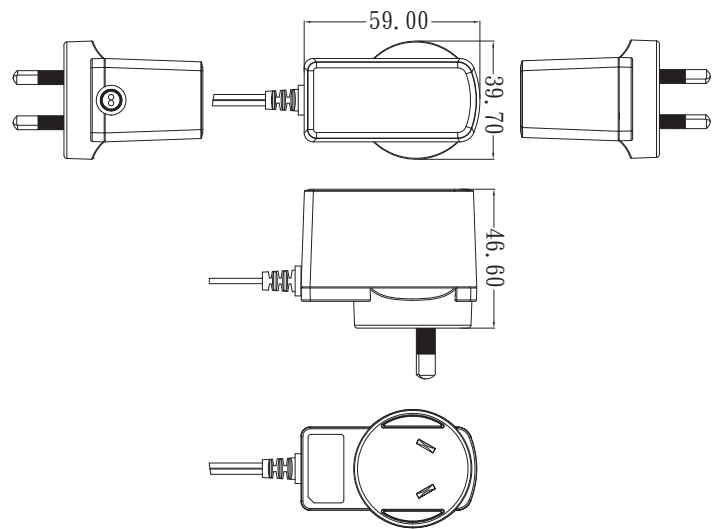
ULVUE3005 Series



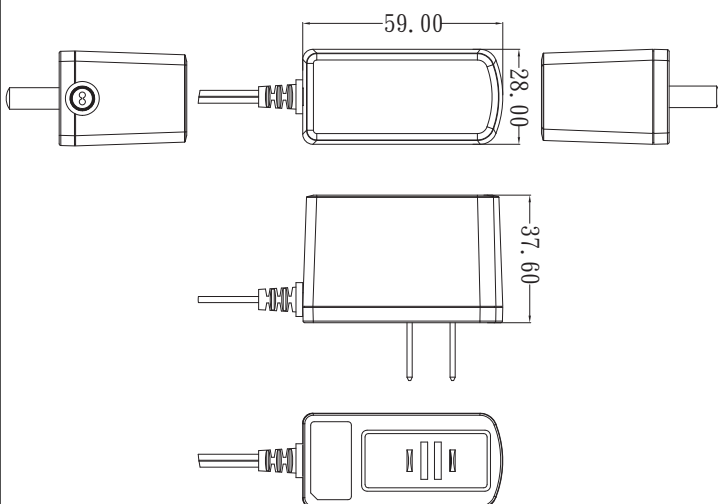
ULVUK3005 Series



ULVUA3005 Series



ULVUZ3005 Series



the following blank

■ Please contact our sales department for details of each model ■