

# UM Series

## Medical Use AC/DC Adaptor 15W Series **Wall Mount**



▲ **UM115/UM315**



▲ **UML115/UML315**



▲ **UME315**



▲ **UMR315**



▲ **UMK315**



▲ **UMA315**



■ Please contact our sales department for safety standard of each model.



### Product Highlights

- Stability
- Compact size
- Energy efficiency
- Suit medical equipment, health device

### Protection

- Short circuit protection
- Over Voltage Protection
- Over Current Protection

### Safety Approvals

- IEC/EN 60601-1
- UL 60601-1
- PSE

### Efficiency

- Meet Coc V Tier2

### Emissions

- FCC Part15 Class B
- CE CISPR 11
- VCCI Class B

### Immunity

- EN55011

# Electrical Spec Absolute Maximum Rating

Input					
Description	Min	Typ	Max	Units	Comment
Voltage	90	100~240	264	VAC	
Frequency	47	50/60	63	Hz	

Environmental					
Description	Min	Typ	Max	Units	Comment
Operating Temperature	0	-	40	°C	Free Convection,Sea level
Storage Temperature	-20	-	65	°C	Free Convection,Sea level
Operating Humidity	5	-	95	%RH	No Condensing
Storage Humidity	5	-	95	%RH	No Condensing

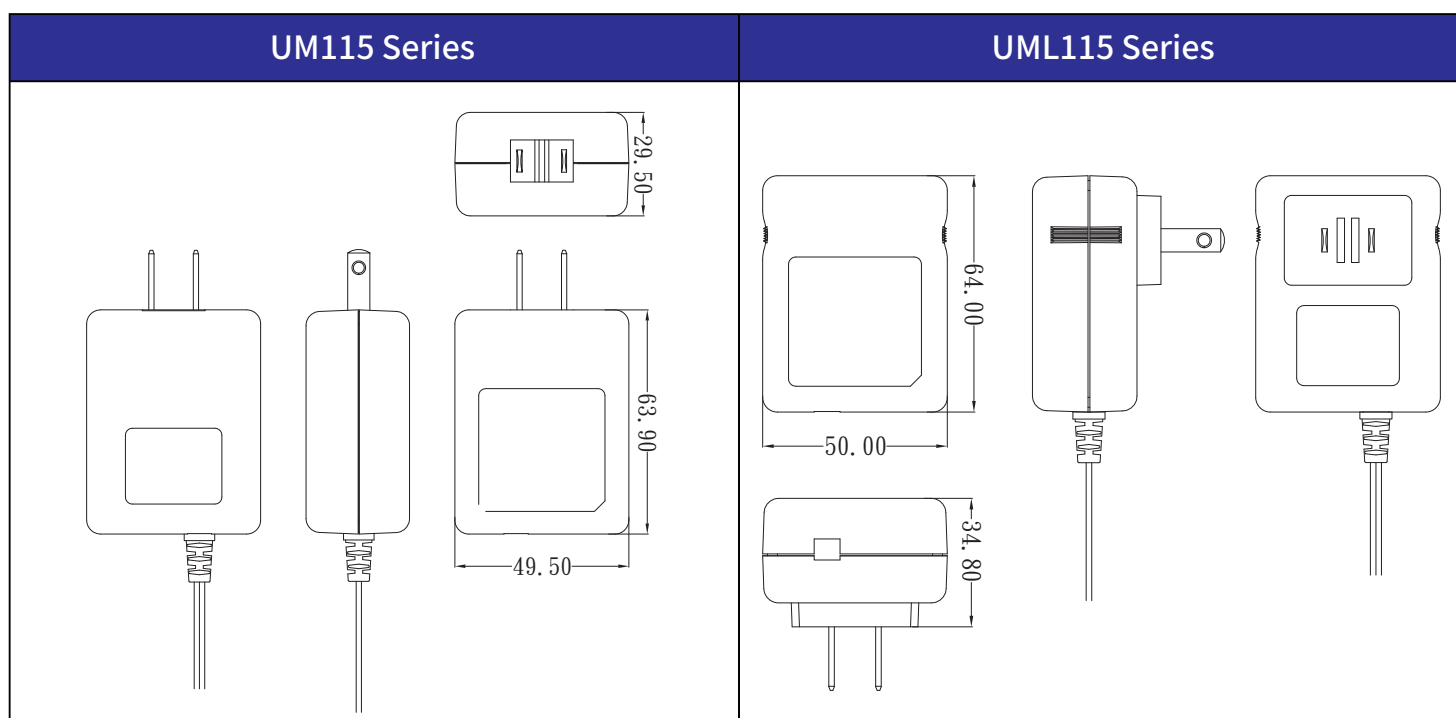
## Typical model list

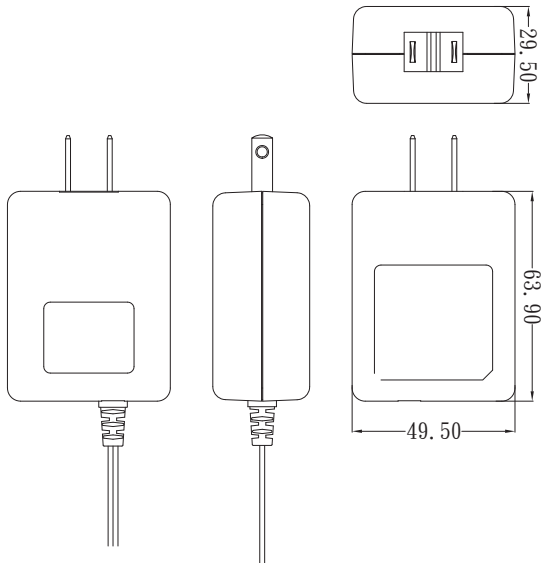
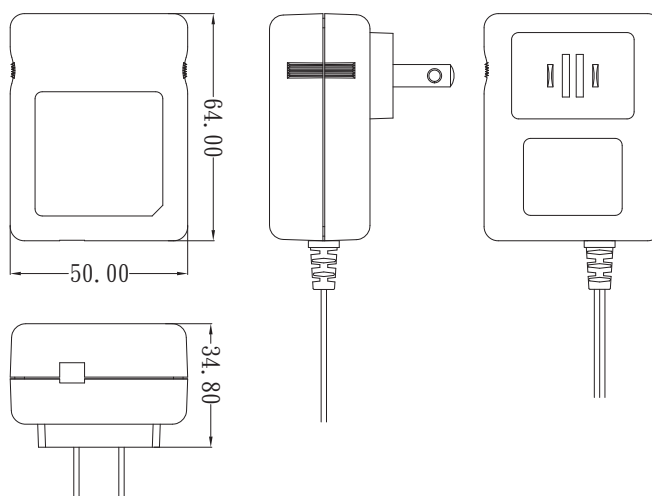
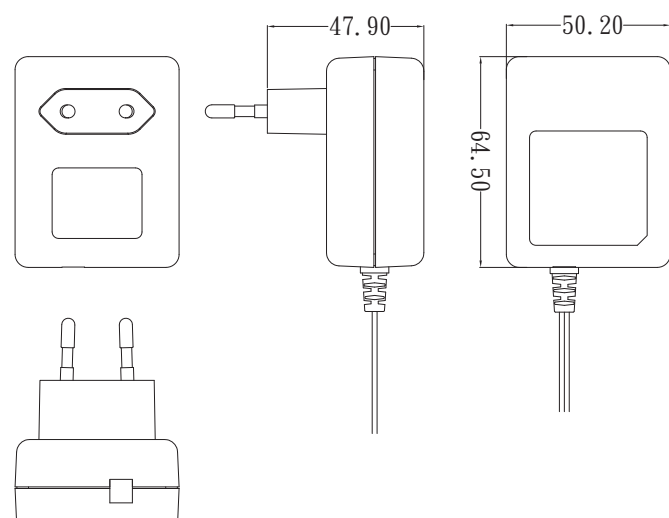
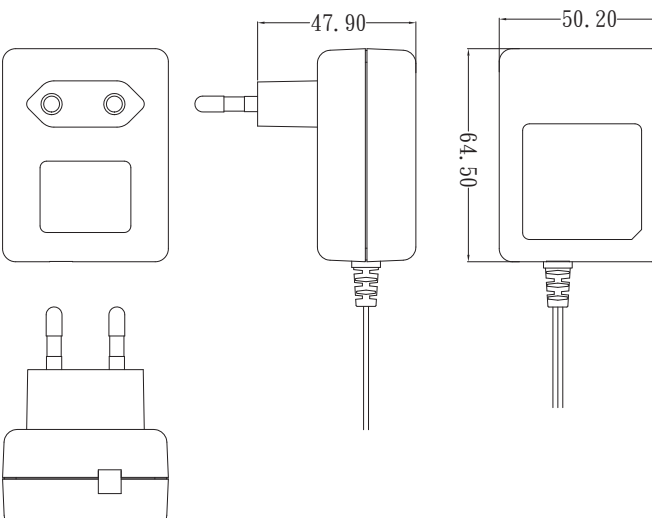
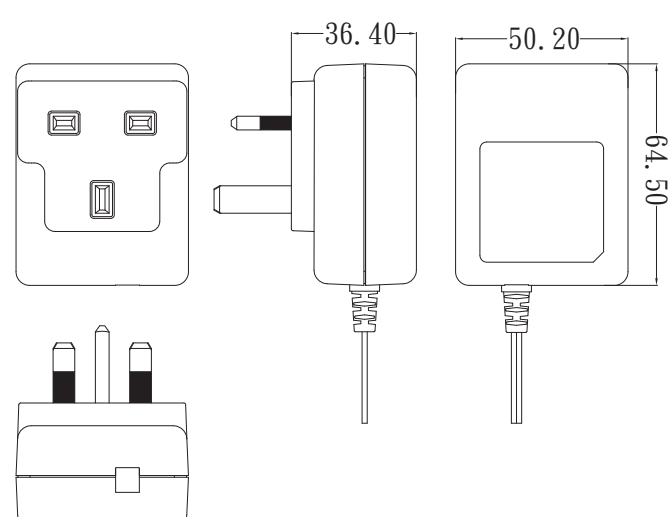
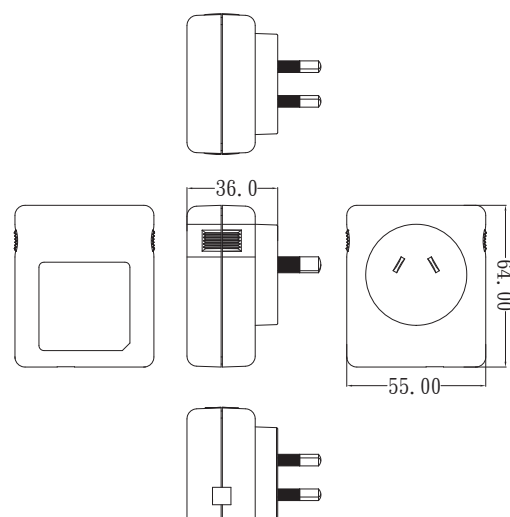
Input Condition	DC Output Voltage	DC Output Current	Output Voltage Precision	Ripple	Noises	Regulation		Option/Remark	
						Line	Load		
Input Voltage: 90V-264Vac Frequency: 47-63Hz	1	5V	2.5A	±5%	100mV	100mV	2%	10%	
	2	7.5V	2.0A	±5%	100mV	150mV	2%	10%	
	3	9V	1.6A	±5%	90mV	180mV	2%	10%	
	4	12V	1.25A	±5%	120mV	120mV	2%	10%	
	5	15V	1.0A	±5%	150mV	150mV	2%	10%	
	6	24V	0.65A	±5%	240mV	240mV	2%	10%	
	7	-	-	-	-	-	-	-	
	8	-	-	-	-	-	-	-	
	9	-	-	-	-	-	-	-	

■ Measurement condition

1. Measurements shall be made with an oscilloscope with 20MHz bandwidth.
2. Outputs shall be bypassed at the connector with a 0.1uF ceramic disk capacitor and a 10uF electrolytic capacitor to simulate system loading.

## Mechanical Spec



UM315 Series	UML315 Series
	
UME Series	UMR Series
	
UMK Series	UMA Series
	

■ Please contact our sales department for details of each model ■