

UM 6W Series

Medical AC/DC Adaptor



▲ UM305



▲ UME305



▲ UMK305



▲ UMA305



▲ UMZ305



■ Please contact our sales department for safety standard of each model.



Product Highlights

- Stability
- Compact Size
- Energy Efficiency
- Suit Medical Equipment, Health Device
- 2xMOPP/2xMOOP
- IEC/EN 60601-1-2

Efficiency

- Energy Efficiency Level VI (ErP / DoE)
- Meet COMMISSION REGULATION(EU) 2019/1782
- Meet DOE 10 CFR part 429 and 430

Protection

- Short circuit protection
- Over Voltage Protection
- Over Current Protection

Emissions

- FCC Part18 Class B
- VCCI Class B
- CE CISPR 11 EN55011

Safety Standard

- 60601-1
- PSE 別表第八

Immunity

- EN60601-1-2

Electrical Spec

Input					
Description	Min.	Typ.	Max.	Units	Comment
Voltage	90	100~240	264	Vac	
Frequency	47	50/60	63	Hz	

Environmental					
Description	Min.	Typ.	Max.	Units	Comment
Operating Temperature	0	-	40	°C	Free Convection,Sea Level
Storage Temperature	-20	-	65	°C	Free Convection,Sea Level
Operating Humidity	5	-	95	%RH	No Condensing
Storage Humidity	5	-	95	%RH	No Condensing

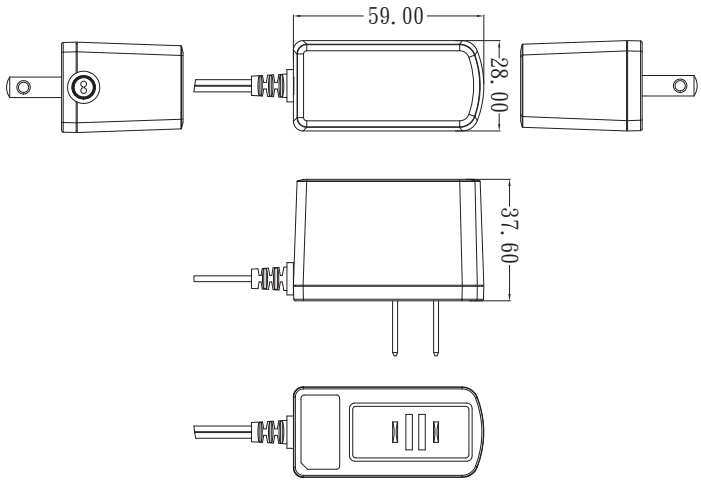
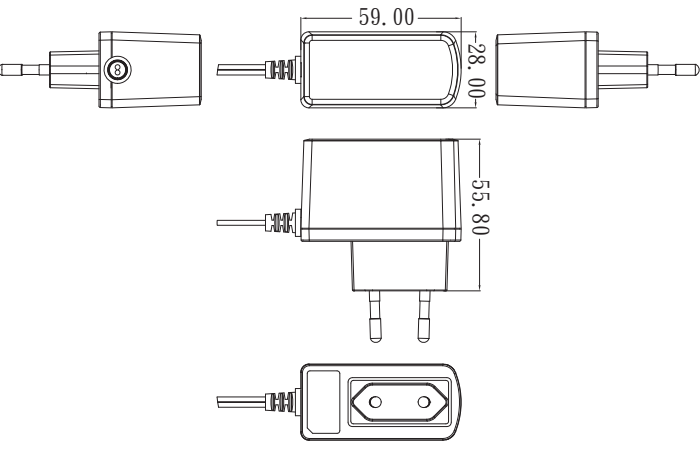
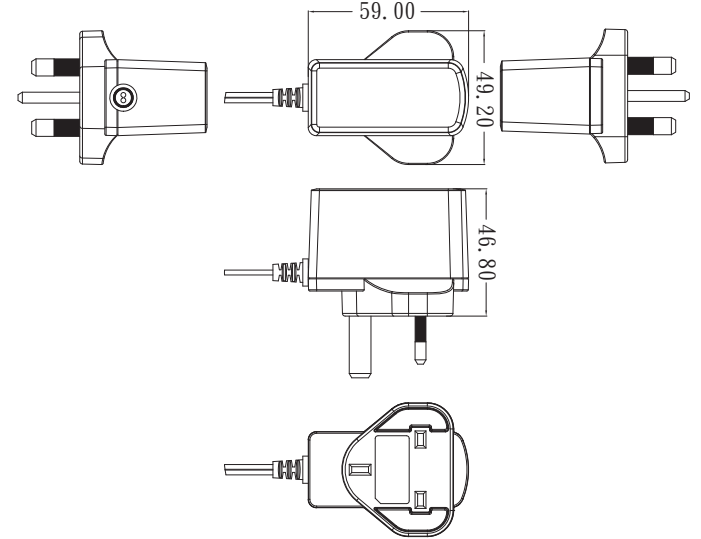
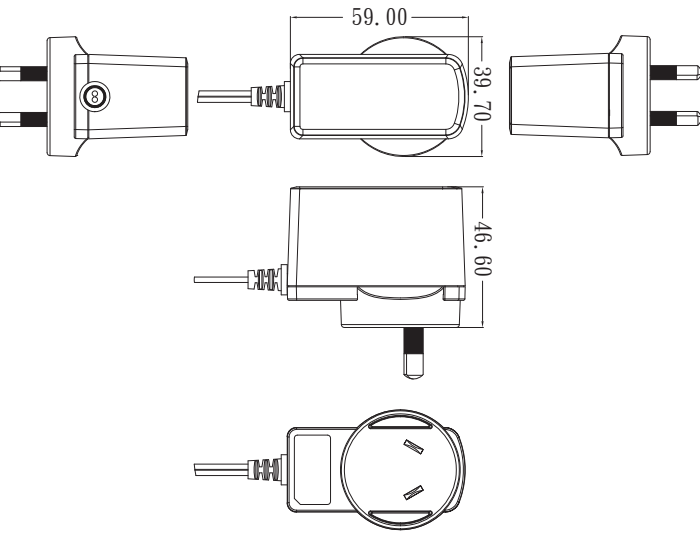
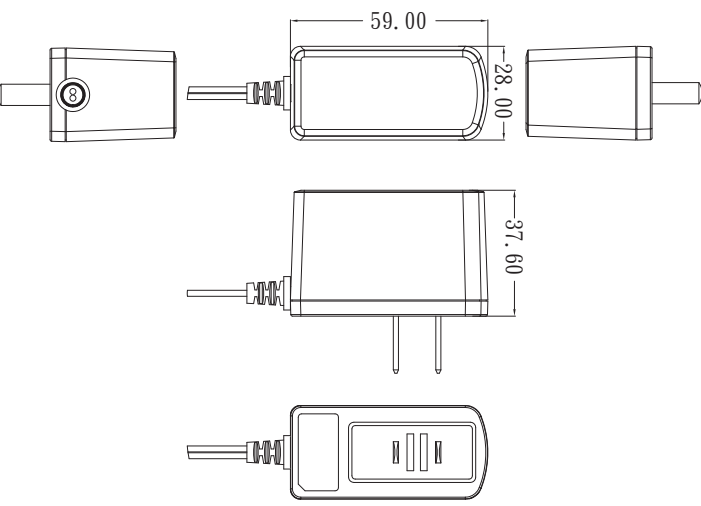
Typical model list

No.	DC Output Voltage	DC Output Current	Output Voltage Precision	Ripple	Noise	Average Active Efficiency	No-Load Power Consumption	Option/Remark
1	5.0V	0.5A	±5%	100mV	100mV	-	-	
2	5.0V	0.8A	±5%	100mV	100mV	-	-	
3	5.0V	1.0A	±5%	100mV	100mV	-	-	
4	5.0V	1.2A	±5%	100mV	100mV	-	-	
5	5.6V	0.5A	±5%	100mV	100mV	-	-	
6	5.6V	0.6A	±5%	100mV	100mV	-	-	
7	5.9V	0.85A	±5%	100mV	100mV	-	-	
8	5.9V	0.5A	±5%	100mV	100mV	-	-	
9	5.9V	0.6A	±5%	100mV	100mV	-	-	
10	5.9V	1.0A	±5%	100mV	100mV	-	-	
11	7.5V	0.8A	±5%	100mV	100mV	-	-	
12	8.5V	0.5A	±5%	100mV	100mV	-	-	
13	8.5V	0.7A	±5%	100mV	100mV	-	-	
14	8.6V	0.6A	±5%	100mV	100mV	-	-	
15	9.0V	0.5A	±5%	100mV	100mV	-	-	
16	9.6V	0.2A	±5%	100mV	100mV	-	-	
17	12.0V	0.25A	±5%	100mV	100mV	-	-	
18	12.0V	0.5A	±5%	100mV	100mV	-	-	
19	13.0V	0.45A	±5%	100mV	100mV	-	-	
20	15.0V	0.4A	±5%	100mV	100mV	-	-	
21	18.0V	0.3A	±5%	100mV	100mV	-	-	
22	24.0V	0.2A	±5%	100mV	100mV	-	-	
23	24.0V	0.25A	±5%	100mV	100mV	-	-	

■ Measurement Condition

1. Measurements shall be made with an oscilloscope with 20MHz bandwidth.
2. Outputs shall be bypassed at the connector with a 0.1uF ceramic disk capacitor and a 10uF electrolytic capacitor to simulate system loading.

Mechanical Spec

UM305 Series	UME305 Series
	
UMK305 Series	UMA305 Series
	
UMZ305 Series	<p>the following blank</p>
	<p>the following blank</p>

■ Please contact our sales department for details of each model ■