

# UU 12W Series

## I.T.E./AV AC/DC Adaptor



▲ **UU111**



▲ **UU311**



▲ **UUE311**



▲ **UUZ311**



▲ **UUK311**



▲ **UUA311**



▲ **UUR311**



▲ **UUL311**



▲ **UUF311**



▲ **UUG311**



■ Please contact our sales department for safety standard of each model.



## Product Highlights

- Ultra Small Size
- Light Weight
- Energy Efficiency
- Suit MP3 Player, Portable GPS, PDA, Musical & Network Devices

## Protection

- Short Circuit Protection
- Over Voltage Protection
- Over Current Protection

## Safety Standard

- 60950-1
- 62368-1
- PSE 別表第八

## Efficiency

- Energy Efficiency Level VI ( ErP / DoE )
- Meet COMMISSION REGULATION(EU) 2019/1782
- Meet DOE 10 CFR part 429 and 430

## Emissions

- FCC Part15 Class B
- CE CISPR 32 EN55032
- VCCI Class B

## Immunity

- EN55024/A1:2001

## Electrical Spec

Input					
Description	Min.	Typ.	Max.	Units	Comment
Voltage	90	100~240	264	Vac	
Frequency	47	50/60	63	Hz	

Environmental					
Description	Min.	Typ.	Max.	Units	Comment
Operating Temperature	0	-	40	°C	Free Convection,Sea Level
Storage Temperature	-20	-	65	°C	Free Convection,Sea Level
Operating Humidity	5	-	95	%RH	No Condensing
Storage Humidity	5	-	95	%RH	No Condensing

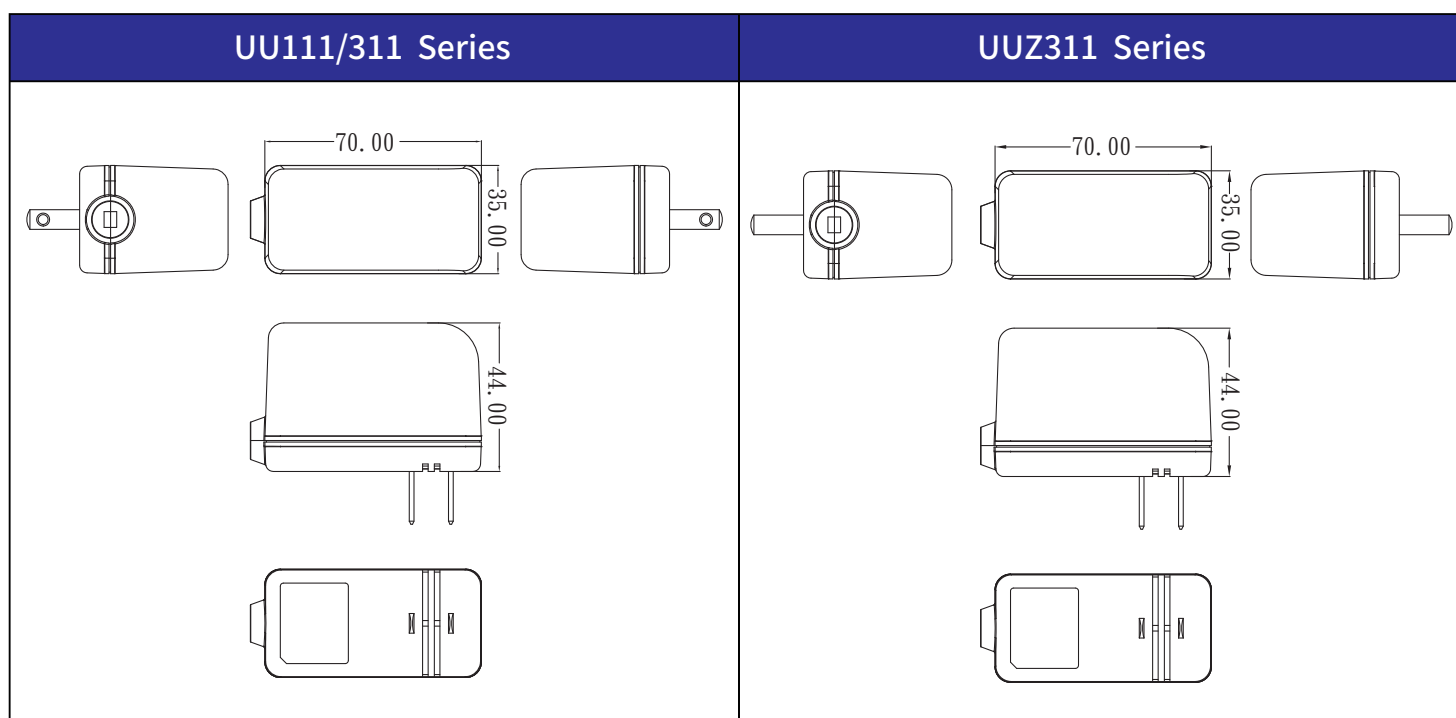
## Typical model list

No.	DC Output Voltage	DC Output Current	Output Voltage Precision	Ripple	Noise	Average Active Efficiency	No-Load Power Consumption	Option/Remark
1	5.0V	2.0A	±5%	150mV	200mV	78.70%	0.1W	
2	7.5V	1.6A	±5%	200mV	300mV	82.58%	0.1W	
3	9.0V	1.3A	±5%	200mV	300mV	82.83%	0.1W	
4	9.5V	1.0A	±5%	200mV	300mV	81.65%	0.1W	
5	12.0V	1.0A	±5%	200mV	300mV	82.96%	0.1W	
6	15.0V	0.8A	±5%	200mV	300mV	82.96%	0.1W	
7	24.0V	0.5A	±5%	240mV	480mV	82.96%	0.1W	

■ Measurement Condition

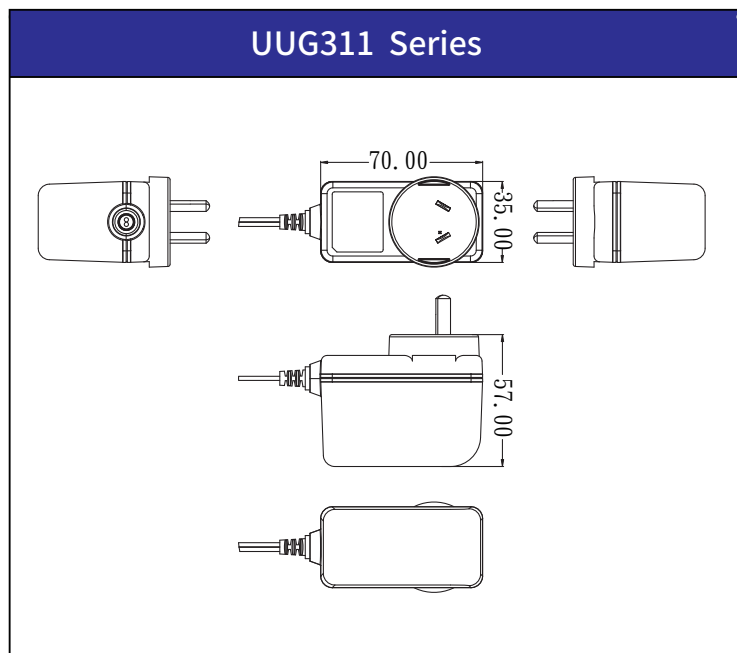
1. Measurements shall be made with an oscilloscope with 20MHz bandwidth.
2. Outputs shall be bypassed at the connector with a 0.1uF ceramic disk capacitor and a 10uF electrolytic capacitor to simulate system loading.

## Mechanical Spec



UUE311 Series	UUR311 Series
<p>UUE311 Series mechanical drawings showing front, side, and rear views. Dimensions: 70.00 (width), 35.00 (height), and 62.30 (depth).</p>	<p>UUR311 Series mechanical drawings showing front, side, and rear views. Dimensions: 70.00 (width), 35.00 (height), and 62.30 (depth).</p>
UUK311 Series	UUA311 Series
<p>UUK311 Series mechanical drawings showing front, side, and rear views. Dimensions: 70.00 (width), 48.80 (height), and 51.20 (depth).</p>	<p>UUA311 Series mechanical drawings showing front, side, and rear views. Dimensions: 70.00 (width), 35.00 (height), and 53.00 (depth).</p>
UUL311 Series	UUF311 Series
<p>UUL311 Series mechanical drawings showing front, side, and rear views. Dimensions: 70.00 (width), 35.00 (height), and 44.00 (depth).</p>	<p>UUF311 Series mechanical drawings showing front, side, and rear views. Dimensions: 70.00 (width), 35.00 (height), and 62.30 (depth).</p>

# Mechanical Spec



————— the following blank —————

■ Please contact our sales department for details of each model ■