

UWB 10W Series

USB AC/DC Adaptor Foldable AC Plug / USB-A



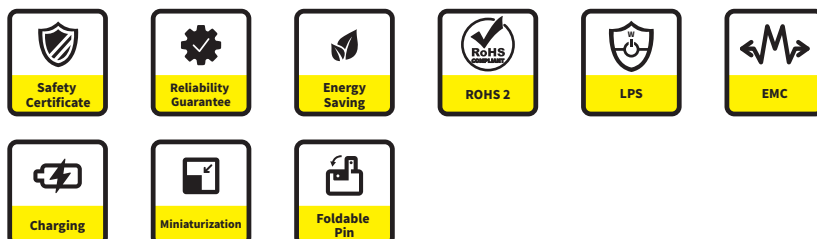
▲ UWB310



▲ UWB310-USB2



■ Please contact our sales department for safety standard of each model.



Product Highlights

- Stability
- Ultra Small Size
- Light Weight
- Energy Efficiency
- Suit MP3 Player, Mobile Phone, Portable GPS Device, PDA

Efficiency

- COMMISSION REGULATION (EU) 2019/1782 (ERP 6)& DOE 6

Protection

- Short Circuit Protection
- Over Voltage Protection
- Over Current Protection

Emissions

- FCC Part15 Class B
- CE CISPR 32 EN55032
- VCCI Class B
- CNS13438

Safety Standard

- 60950-1
- CNS14336
- PSE 別表第八

Immunity

- EN55024/A1:2001

Electrical Spec

Input					
Description	Min.	Typ.	Max.	Units	Comment
Voltage	90	100~240	264	Vac	
Frequency	47	50/60	63	Hz	

Environmental					
Description	Min.	Typ.	Max.	Units	Comment
Operating Temperature	0	-	40	°C	Free Convection,Sea Level
Storage Temperature	-20	-	65	°C	Free Convection,Sea Level
Operating Humidity	5	-	95	%RH	No Condensing
Storage Humidity	5	-	95	%RH	No Condensing

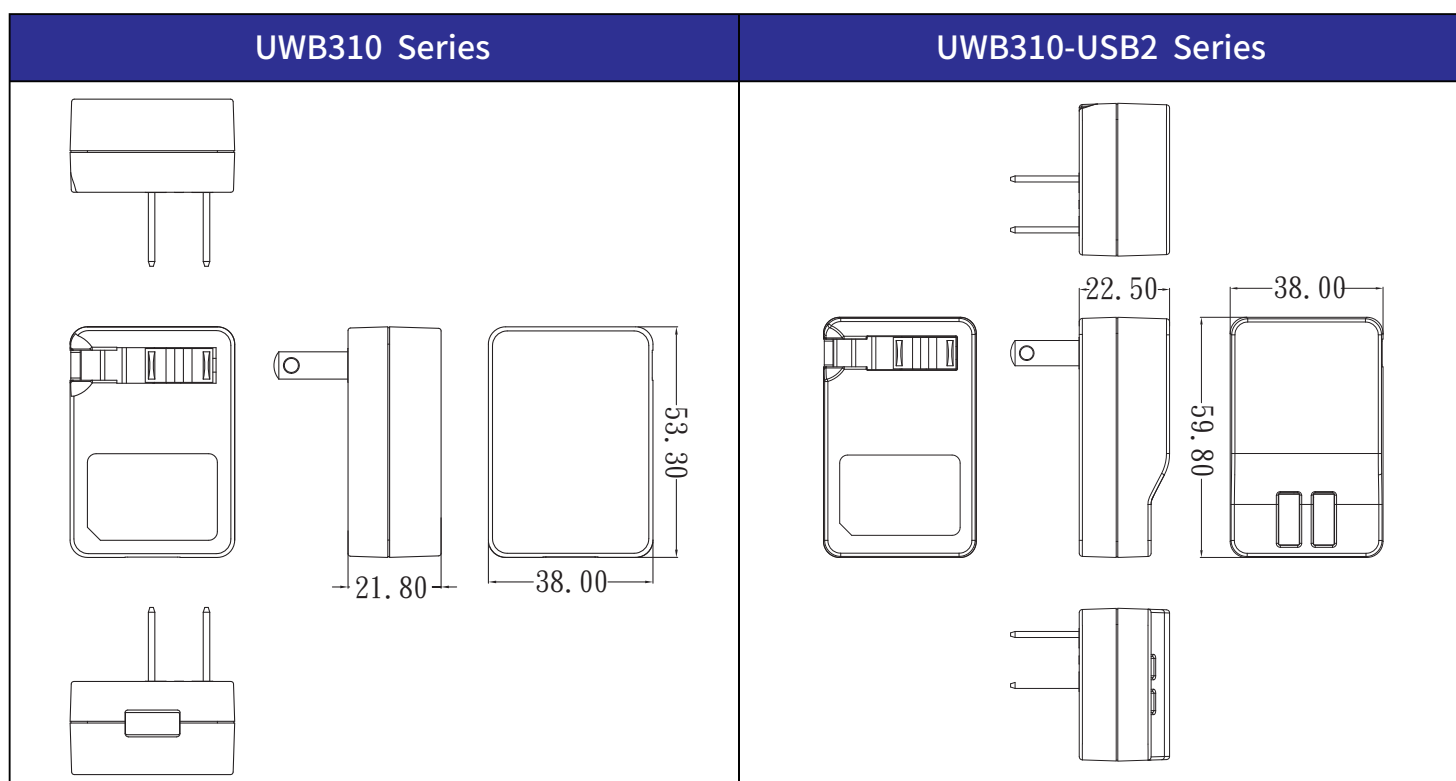
Typical model list

Output Condition	DC Output Voltage	DC Output Current	Output Voltage Precision	Ripple	Noise	Average Active Efficiency	No-Load Power Consumption	Option/Remark
USB-A	5.0V	2.0A	±5%	150mV	200mV	78.84%	0.1W	
	5.0V	2.1A	±5%	150mV	200mV	79.18%	0.1W	

■ Measurement Condition

1. Measurements shall be made with an oscilloscope with 20MHz bandwidth.
2. Outputs shall be bypassed at the connector with a 0.1uF ceramic disk capacitor and a 10uF electrolytic capacitor to simulate system loading.

Mechanical Spec



■ Please contact our sales department for details of each model ■